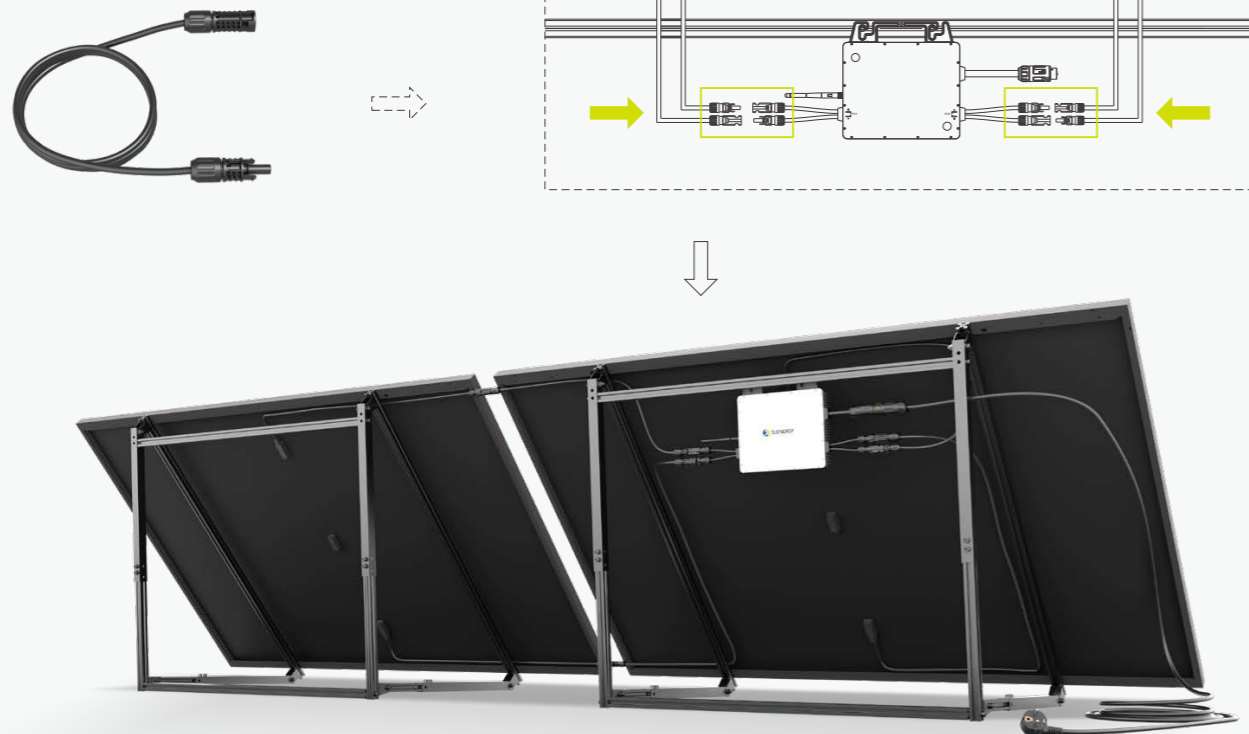


PV Connection

1. Mount the PV modules above the micro inverter.
2. Connect the PV modules' DC cables to the DC input side of the micro inverter.



Commissioning

Please check if

- The inverter and mounting structure have been correctly installed.
- The inverter's exposed metal surface has a ground connection.
- The resistance between PV arrays and ground is greater than 1 Mohm.
- The grid voltage at the point of connection of the inverter is within the permitted range.
- The AC circuit breaker must be correctly rated and wired.

Start up

- Turn on the AC breaker for the branch circuit.
- Turn on the main AC breaker for the house. Your system will start to generate power in about 2 minutes.

iShare-Home Mini

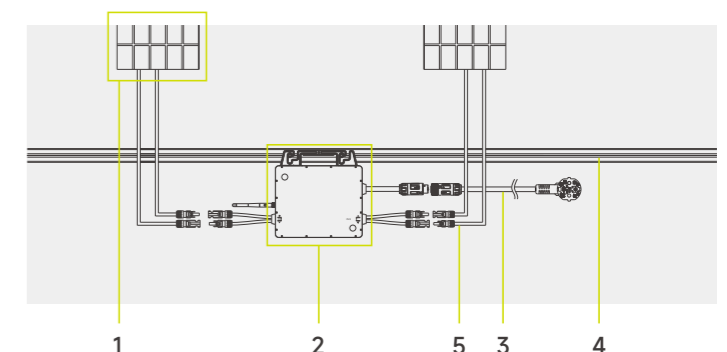
Quick Installation Guide

Product Overview

An iShare-Home Mini system contains package A and B, the packages are shown below:



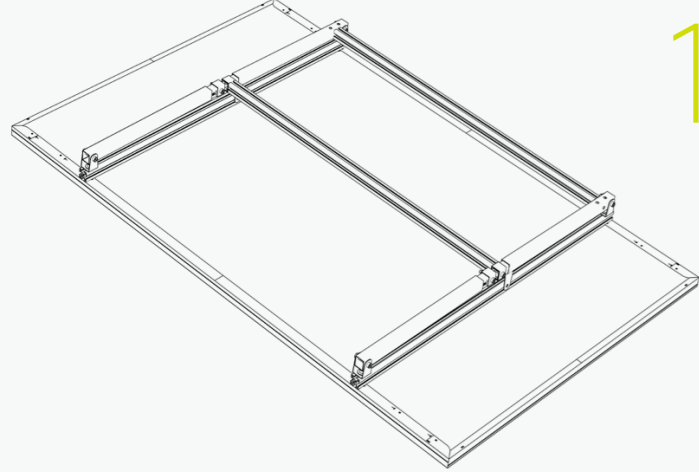
System capacity (W)	600/800
1 No. PV modules (pcs)/425W	2
2 Inverter/SL-M600-C/SL-M800-C	1
3 Plug + AC cable+Female 3P Connector	1
4 Mounting Structure set	2
5 DC cable + connector	1.5m × 2



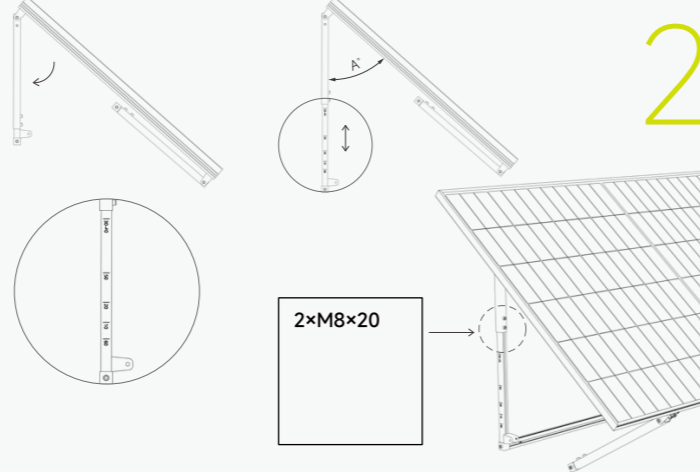
Structural installation

Mounting structure installation

The PV Modules and mounting structure are unpacked and folded as shown in the figure below.

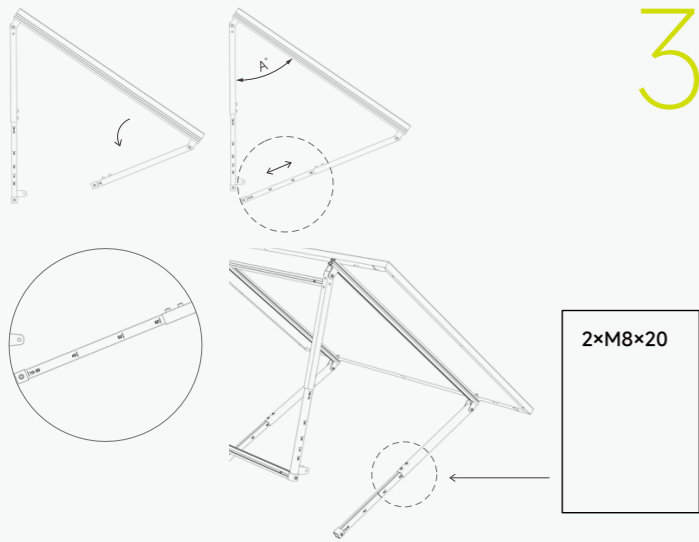


1

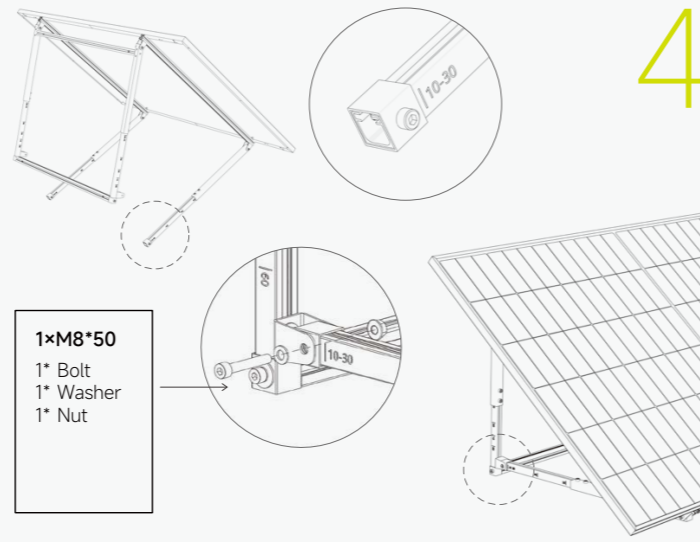


2

The mounting structure is rotated and opened on the other side of the arrow as shown below, loosen the fastening bolt of the expandable rod, as shown in the figure below, the arrow moves the expandable rod up and down to the desired angle (10°-30°, 40°, 50°, 60° corresponds to 4 scale marks), adjusts the expandable rod to the corresponding scale and tightens the M8*20 bolt.



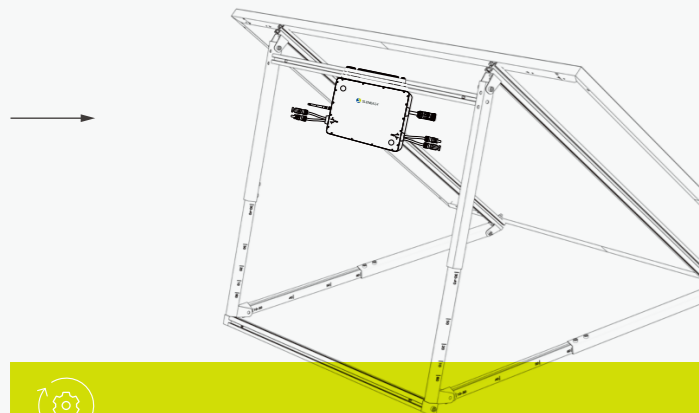
3



4

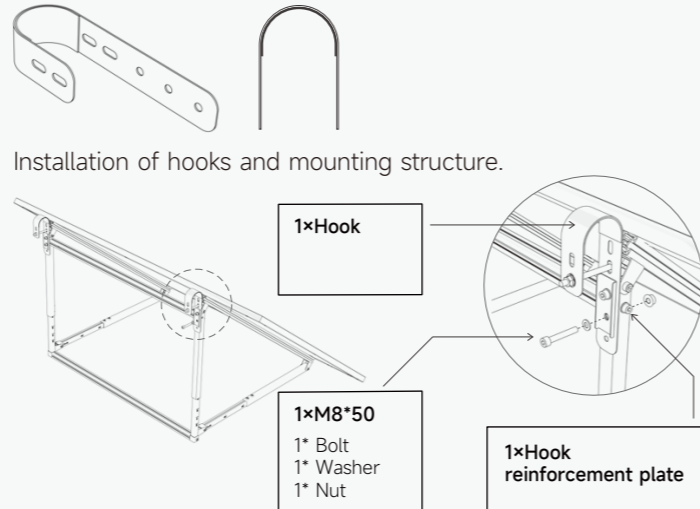
Micro inverter installation

Install the micro inverter onto the upper horizontal bar of the mounting bracket with M6*16 T shape bolt and nut. The flat side of the micro inverter should be facing inward.



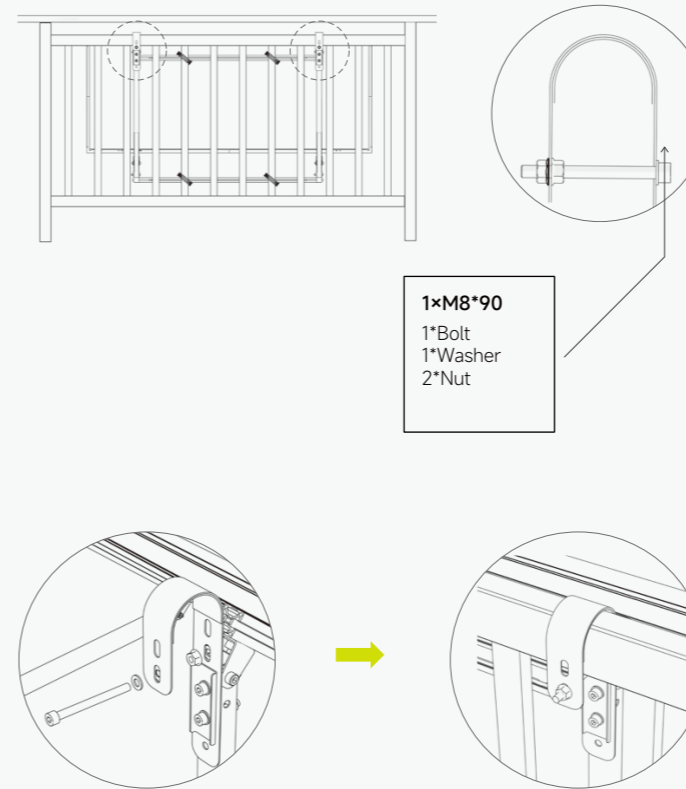
Hook installation

The hook rubber pad is attached to the hook.

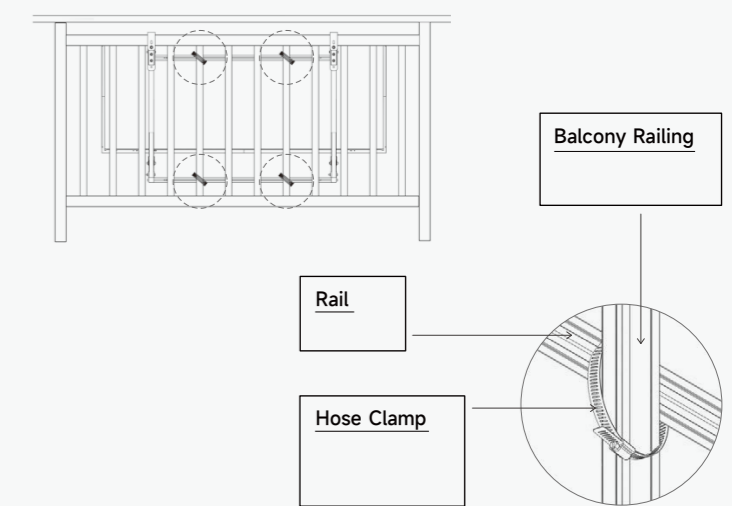


Disassemble the pre-installed bolt M8*50 of the expandable rod, and put the expandable rod into the hinge connection as shown below, and reinstall the bolt.

Mounting struction with balcony railing installation



Hose clamps with railings installation



Bolt torque

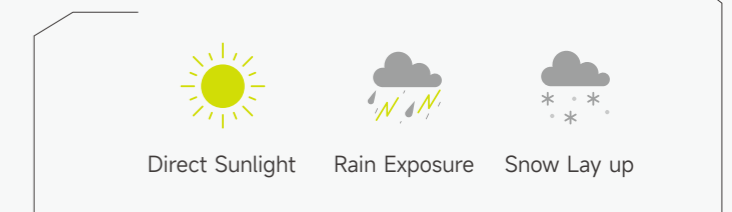
Bolt Standard	Torque(N*m)
M8 × 20	8 bis 10
M8 × 50	8 bis 10
M8 × 90	8 bis 10

Wiring Installation

Installation Requirements

- Please install the iShare Home Mini system in places that can avoid inadvertent contact.
- The system should not be installed near flammable or explosive objects.

AVOID ZU VERMEIDEN



AC Connection

- Connect the AC power plug cable to the local grid network.

